

**DEWALT®**

**XR LI-ION**

**[www.DEWALT.com](http://www.DEWALT.com)**

**DWE46225**

**DWE46229**

## ENGLISH

---

English (*original instructions*) 4

---

Русский (*перевод с оригинала инструкции*) 10

---

Українська (*переклад з оригінальної інструкції*) 19

---

Fig. A

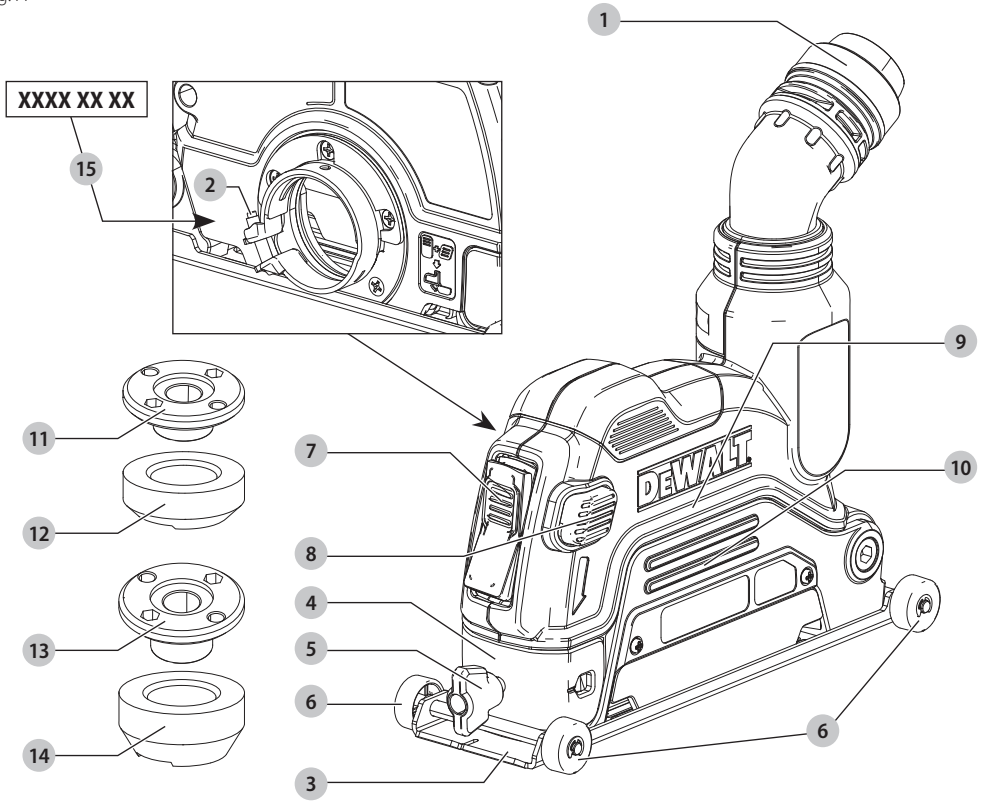


Fig. B

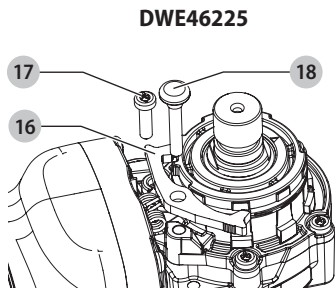


Fig. C

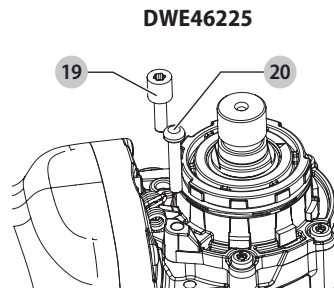


Fig. D

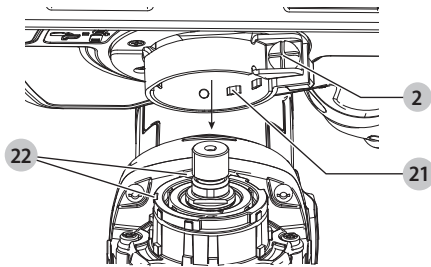


Fig. E

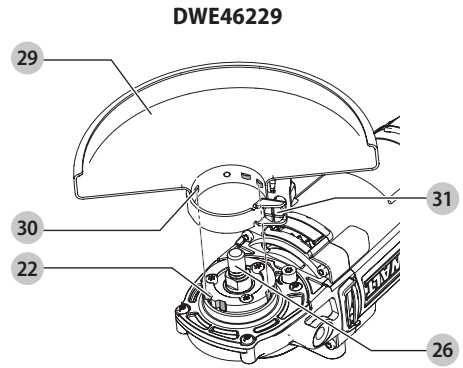


Fig. F

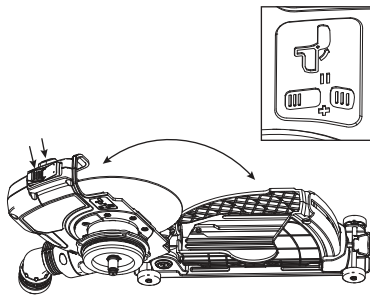


Fig. G

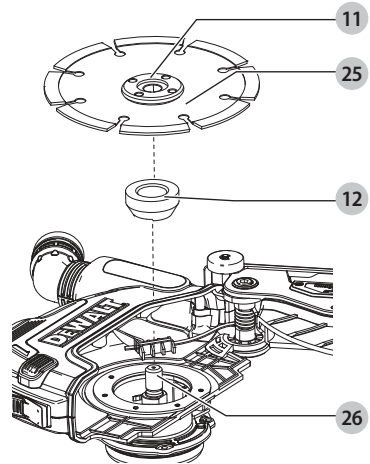


Fig. H

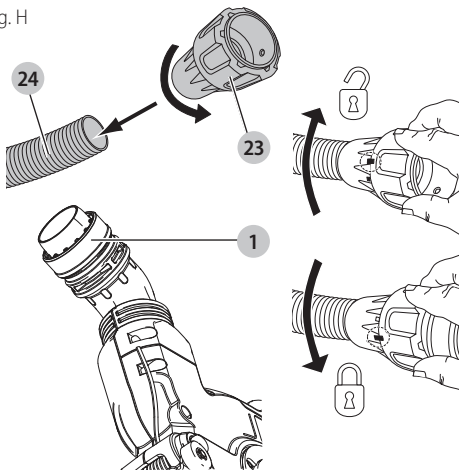


Fig. I

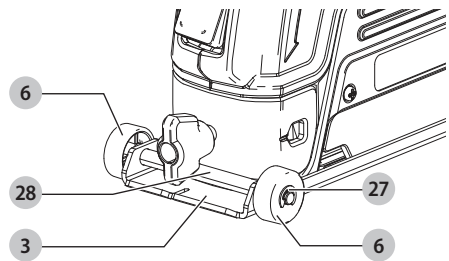
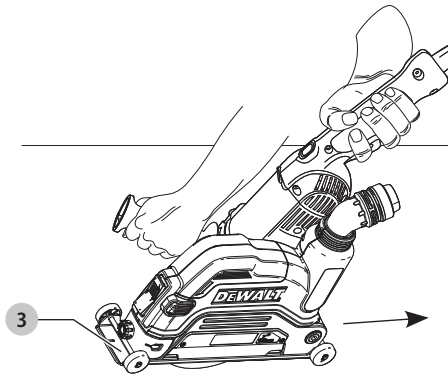


Fig. J



# 125 MM CUTTING SHROUD DWE46225

# 230 MM CUTTING SHROUD DWE46229

## Congratulations!

You have chosen a DeWALT tool. Years of experience, thorough product development and innovation make DeWALT one of the most reliable partners for professional power tool users.

## Technical Data

	DWE46225	DWE46229
Type	1	1
These cutting shrouds are for use only with DeWALT grinders with following technical specifications:		
guard holder diameter	mm 44.4	60
max. diamond wheel diameter	mm 125	230
wheel body thickness	mm 1.2	1.8



**WARNING:** To reduce the risk of injury, read the instruction manual.

## Definitions: Safety Guidelines

The definitions below describe the level of severity for each signal word. Please read the manual and pay attention to these symbols.



**DANGER:** Indicates an imminently hazardous situation which, if not avoided, **will** result in **death or serious injury**.



**WARNING:** Indicates a potentially hazardous situation which, if not avoided, **could** result in **death or serious injury**.



**CAUTION:** Indicates a potentially hazardous situation which, if not avoided, **may** result in **minor or moderate injury**.

**NOTICE:** Indicates a practice **not related to personal injury** which, if not avoided, **may** result in **property damage**.



Denotes risk of electric shock.



Denotes risk of fire.

## GENERAL POWER TOOL SAFETY WARNINGS



**WARNING:** Read all safety warnings, instructions, illustrations and specifications provided with this cutting shroud. Failure to follow all instructions listed below may result in electric shock, fire and/or serious injury.



**WARNING:** Read all the safety warning and instructions of the power tool and dust extractor connected to the shroud. Failure to follow all warnings and instructions

listed in these manuals may result in electrical shock, fire and/or serious injury.

## SAVE ALL WARNINGS AND INSTRUCTIONS FOR FUTURE REFERENCE.

The term "power tool" in the warnings refers to your mains-operated (corded) power tool or battery-operated (cordless) power tool.

## CUT-OFF MACHINE SAFETY WARNINGS

- The guard provided with the tool must be securely attached to the power tool and positioned for maximum safety, so the least amount of wheel is exposed towards the operator. Position yourself and bystanders away from the plane of the rotating wheel.** The guard helps to protect operator from broken wheel fragments and accidental contact with wheel.
- Use only diamond blades for your power tool.** Just because an accessory can be attached to your power tool, it does not assure safe operation.
- The rated speed of the accessory must be at least equal to the maximum speed marked on the power tool.** Accessories running faster than their rated speed can break and fly apart.
- Wheels must be used only for recommended applications. For example: do not grind with the side of cut-off wheel.** Abrasive cut-off wheels are intended for peripheral grinding, side forces applied to these wheels may cause them to shatter.
- Always use undamaged wheel flanges that are of correct diameter for your selected wheel.** Proper wheel flanges support the wheel thus reducing the possibility of wheel breakage.
- The outside diameter and the thickness of your accessory must be within the capacity rating of your power tool.** Incorrectly sized accessories cannot be adequately guarded or controlled.
- The arbour size of wheels and flanges must properly fit the spindle of the power tool.** Wheels and flanges with arbour holes that do not match the mounting hardware of the power tool will run out of balance, vibrate excessively and may cause loss of control.
- Do not use damaged wheels. Before each use, inspect the wheels for chips and cracks. If power tool or wheel is dropped, inspect for damage or install an undamaged wheel. After inspecting and installing the wheel, position yourself and bystanders away from the plane of the rotating wheel and run the power tool at maximum no load speed for one**

*minute. Damaged wheels will normally break apart during this test time.*

- i) **Wear personal protective equipment. Depending on application, use face shield, safety goggles or safety glasses. As appropriate, wear dust mask, hearing protectors, gloves and shop apron capable of stopping small abrasive or workpiece fragments.** *The eye protection must be capable of stopping flying debris generated by various operations. The dust mask or respirator must be capable of filtering particles generated by your operation. Prolonged exposure to high intensity noise may cause hearing loss.*
- j) **Keep bystanders a safe distance away from work area. Anyone entering the work area must wear personal protective equipment.** *Fragments of workpiece or of a broken wheel may fly away and cause injury beyond immediate area of operation.*
- k) **Hold the power tool by insulated gripping surfaces only, when performing an operation where the cutting accessory may contact hidden wiring.** *Cutting accessory contacting a "live" wire may make exposed metal parts of the power tool "live" and could give the operator an electric shock.*
- l) **Position the cord clear of the spinning accessory.** *If you lose control, the cord may be cut or snagged and your hand or arm may be pulled into the spinning wheel.*
- m) **Never lay the power tool down until the accessory has come to a complete stop.** *The spinning wheel may grab the surface and pull the power tool out of your control.*
- n) **Do not run the power tool while carrying it at your side.** *Accidental contact with the spinning accessory could snag your clothing, pulling the accessory into your body.*
- o) **Regularly clean the power tool's air vents.** *The motor's fan will draw the dust inside the housing and excessive accumulation of powdered metal may cause electrical hazards.*
- p) **Do not operate the power tool near flammable materials.** *Sparks could ignite these materials.*
- q) **Do not use accessories that require liquid coolants.** *Using water or other liquid coolants may result in electrocution or shock.*

## FURTHER SAFETY INSTRUCTIONS FOR ALL OPERATIONS

### Causes and Operator Prevention of Kickback

*Kickback is a sudden reaction to a pinched or snagged rotating wheel, backing pad, brush or any other accessory. Pinching or snagging causes rapid stalling of the rotating accessory which in turn causes the uncontrolled power tool to be forced in the direction opposite of the accessory's rotation at the point of the binding.*

*For example, if an abrasive wheel is snagged or pinched by the workpiece, the edge of the wheel that is entering into the pinch point can dig into the surface of the material causing the wheel to climb out or kick out. The wheel may either jump toward or away from the operator, depending on direction of the wheel's movement at the point of pinching. Abrasive wheels may also break under these conditions.*

*Kickback is the result of power tool misuse and/or incorrect operating procedures or conditions and can be avoided by taking proper precautions as given below:*

- a) **Maintain a firm grip on the power tool and position your body and arm to allow you to resist kickback forces. Always use auxiliary handle, if provided, for maximum control over kickback or torque reaction during start-up.** *The operator can control torque reaction or kickback forces, if proper precautions are taken.*
- b) **Never place your hand near the rotating accessory.** *Accessory may kickback over your hand.*
- c) **Do not position your body in line with the rotating wheel.** *Kickback will propel the tool in direction opposite to the wheel's movement at the point of snagging.*
- d) **Use special care when working corners, sharp edges etc. Avoid bouncing and snagging the accessory.** *Corners, sharp edges or bouncing have a tendency to snag the rotating accessory and cause loss of control or kickback.*
- e) **Do not attach a saw chain, woodcarving blade, segmented diamond wheel with a peripheral gap greater than 10 mm or toothed saw blade.** *Such blades create frequent kickback and loss of control.*
- f) **Do not "jam" the wheel or apply excessive pressure. Do not attempt to make an excessive depth of cut.** *Overstressing the wheel increases the loading and susceptibility to twisting or binding of the wheel in the cut and the possibility of kickback or wheel breakage.*
- g) **When wheel is binding or when interrupting a cut for any reason, switch off the power tool and hold the power tool motionless until the wheel comes to a complete stop. Never attempt to remove the wheel from the cut while the wheel is in motion otherwise kickback may occur.** *Investigate and take corrective action to eliminate the cause of wheel binding.*
- h) **Do not restart the cutting operation in the workpiece. Let the wheel reach full speed and carefully re-enter the cut.** *The wheel may bind, walk up or kickback if the power tool is restarted in the workpiece.*
- i) **Support panels or any oversized workpiece to minimize the risk of wheel pinching and kickback.** *Large workpieces tend to sag under their own weight. Supports must be placed under the workpiece near the line of cut and near the edge of the workpiece on both sides of the wheel.*
- j) **Use extra caution when making a "pocket cut" into existing walls or other blind areas.** *The protruding wheel may cut gas or water pipes, electrical wiring or objects that can cause kickback.*

## Additional Safety Rules

- **Use of accessories not specified in this manual is not recommended and may be hazardous.** Use of power boosters that would cause the tool to be driven at speeds greater than its rated speed constitutes misuse.
- **Use clamps or another practical way to secure and support the workpiece to a stable platform.** Holding the work by hand or against your body leaves it unstable and may lead to loss of control.
- **Always use side handle. Tighten the handle securely.** The side handle should always be used to maintain control of the tool at all times.
- **Avoid bouncing the diamond wheel or giving it rough treatment.** If this occurs, stop the tool and inspect the wheel for cracks or flaws.
- **Do not attempt to do curved cutting.** Overstressing the diamond wheel increases the loading and susceptibility to twisting or binding of the diamond wheel in the cut and the possibility of kickback or wheel breakage, which can lead to serious injury.
- Always handle and store wheels in a careful manner.
- **Never cut into area that may contain electrical wiring or piping.** Serious injury may result.
- **DO NOT cut metal with a diamond wheel.**
- **DO NOT use abrasive wheels.**
- **ALWAYS use with a dust collector.**
- **Do not operate this tool for long periods of time.** Vibration caused by the operating action of this tool may cause permanent injury to fingers, hands, and arms. Use gloves to provide extra cushion, take frequent rest periods, and limit daily time of use.
- **Air vents often cover moving parts and should be avoided.** Loose clothes, jewelry or long hair can be caught in moving parts.
- **Threaded mounting of accessories must match the grinder spindle thread.** For accessories mounted by flanges, the arbour hole of the accessory must fit the locating diameter of the flange. Accessories that do not match the mounting hardware of the power tool will run out of balance, vibrate excessively and may cause loss of control.
- **The grinding surface of the centre depressed wheels must be mounted below the plane of the shroud lip.** An improperly mounted wheel that projects through the plane of the shroud lip cannot be adequately protected.



**WARNING:** When not in use, place tool on its side on a stable surface where it will not cause a tripping or falling hazard. Serious personal injury may result.

## Residual Risks



**WARNING:** We recommend the use of a residual current device with a residual current rating of 30mA or less.

In spite of the application of the relevant safety regulations and the implementation of safety devices, certain residual risks cannot be avoided. These are:

- Impairment of hearing.

- Risk of personal injury due to flying particles.
- Risk of burns due to accessories becoming hot during operation.
- Risk of personal injury due to prolonged use.

## SAVE THESE INSTRUCTIONS

## Package Contents

The package contains:

- 1 Cutting shroud
  - 1 Short locking flange (DWE46225 only)
  - 1 Short backing flange (DWE46225 only)
  - 1 Long locking flange
  - 1 Long backing flange
  - 1 Stop screw (DWE46225 only)
  - 1 Screw (DWE46225 only)
  - 1 Instruction manual
- Check for damage to the tool, parts or accessories which may have occurred during transport.
  - Take the time to thoroughly read and understand this manual prior to operation.

## Markings on Tool

The following pictograms are shown on the tool:



Read instruction manual before use.



Wear ear protection.



Wear eye protection.

## Date Code Position (Fig. A)

The date code **15**, which also includes the year of manufacture, is printed into the housing.

Example:

2020 XX XX  
Year of Manufacture

## Description (Fig. A)



**WARNING:** Never modify the power tool or any part of it. Damage or personal injury could result.

- |                                |                                         |
|--------------------------------|-----------------------------------------|
| 1 Swiveling dust port          | 11 Short locking flange (DWE46225 only) |
| 2 Collar screw                 | 12 Short backing flange (DWE46225 only) |
| 3 Metal base                   | 13 Long locking flange                  |
| 4 Depth of cut adjustor        | 14 Long backing flange                  |
| 5 Depth of cut adjustment knob |                                         |
| 6 Removable wheels             |                                         |
| 7 Front shroud button          |                                         |
| 8 Side shroud button           |                                         |
| 9 Upper shroud                 |                                         |
| 10 Lower shroud                |                                         |



## Intended Use

Your cutting shroud has been designed for professional masonry cutting applications. It is not intended for use with metal or wood. It may be used only for dry cutting. Using the appropriate grinder, diamond wheel and dust extractor vacuum can be used to remove the vast majority of static and airborne dust which without the use of the cutting shroud could otherwise contaminate the working environment or pose an increased health risk to the operator and those in close proximity.


Do not use under wet conditions or in the presence of flammable liquids or gases.

The cutting shroud is a professional tool.

Do not let children come into contact with the tool. Supervision is required when inexperienced operators use this tool.

- Young children and the infirm. This appliance is not intended for use by young children or infirm persons without supervision.
- This product is not intended for use by persons (including children) suffering from diminished physical, sensory or mental abilities; lack of experience, knowledge or skills unless they are supervised by a person responsible for their safety. Children should never be left alone with this product.

## ASSEMBLY AND ADJUSTMENTS

 **WARNING:** To reduce the risk of serious personal injury, turn tool off and disconnect tool from power source before making any adjustments or removing/installing attachments or accessories. Be sure the trigger switch is in the OFF position. An accidental start-up can cause injury.

## Mounting and Removing the Cutting Shroud

### Mounting the DWE46225 125 mm Cutting Shroud (Fig. A, B–D, F)

 **WARNING:** The protective guard for grinding applications can't be reinstalled, after the shroud is mounted.

Follow the mounting and removing guard instructions in tool manual to remove the guard from grinder.

1. To mount the DWE46225 cutting shroud on a keyless gear case, remove guard release lever **16**, guard release lever screw **17** and screw **18** shown in Figure B.
2. Insert the supplied screws: stop screw **19** and screw **20** as shown in Figure C. Then mount cutting shroud.
3. Press the front shroud button **7** and the side shroud button **8** at the same time to fully open the cutting shroud (Fig. F).
4. Loosen the collar screw **2** on the cutting shroud and align the tabs **21** on the cutting shroud with the slots **22** on the grinder gear case.
5. Rotate the shroud into the desired working position. The shroud should be positioned between the spindle and the operator to provide optimum efficiency.

6. Tighten the collar screw **2** to secure the cutting shroud on the gear case. Do not operate the grinder with a loose cutting shroud.
7. To remove the cutting shroud, loosen the collar screw, rotate the cutting shroud to align the slots and tabs and pull up on the cutting shroud.

**NOTE:** The cutting shroud is pre-adjusted to the diameter of the gear case hub at the factory. If, after a period of time, the cutting shroud becomes loose, tighten the collar screw **2**.

**NOTICE:** If cutting shroud cannot be secured by tightening the collar screw, do not use tool. Take the tool and cutting shroud to a service centre to repair or replace the cutting shroud.

### Mounting the DWE46127 230 mm Cutting Shroud (Fig. A, D, F)

Follow the mounting and removing guard instructions in tool manual to remove the guard from grinder.


1. Press the front shroud button **7** and the side shroud button **8** at the same time to fully open the cutting shroud (Fig. F).
2. Loosen the collar screw **2** on the cutting shroud and align the tabs **21** on the cutting shroud with the slots **22** on the grinder gear case.
3. Rotate the shroud into the desired working position. The shroud should be positioned between the spindle and the operator to provide optimum efficiency.
4. Tighten the collar screw **2** to secure the cutting shroud on the gear case. Do not operate the grinder with a loose cutting shroud.
5. To remove the cutting shroud, loosen the collar screw, rotate the cutting shroud to align the slots and tabs and pull up on the cutting shroud.

**NOTE:** The cutting shroud is pre-adjusted to the diameter of the gear case hub at the factory. If, after a period of time, the cutting shroud becomes loose, tighten the collar screw **2**.

**NOTICE:** If cutting shroud cannot be secured by tightening the collar screw, do not use tool. Take the tool and cutting shroud to a service center to repair or replace the cutting shroud.

## Mounting and Removing a Keyed Guard (Fig. E)

### For 230 mm grinders only

 **WARNING:** To reduce the risk of serious personal injury, turn tool off and disconnect tool from power source before making any adjustments or removing/installing attachments or accessories. Before reconnecting the tool, depress and release the trigger switch to ensure that the tool is off.

 **CAUTION:** Guards must be used with this grinder.



**CAUTION:** The keyed guard can only be mounted on grinders where the DWE46127 230 mm shroud was mounted.

When using the grinder for cutting metal or masonry a Type 1 guard **MUST** be used. Type 1 guards are available at extra cost from DeWALT distributors.

1. Place the angle grinder on a table, spindle **26** up.
2. Align the lugs **30** with the notches **22**.
3. Press the guard **29** down and rotate it to the required position.
4. Securely tighten the screw **31**.
5. To remove the guard, slacken the screw.

**NOTICE:** If the guard cannot be tightened by the adjusting screw, do not use the tool. To reduce the risk of personal injury, take the tool and guard to a service centre to repair or replace the guard.

## Mounting and Using Diamond Cutting Wheels (Fig. A, F, G)



**WARNING:** Only diamond wheels with a negative rake angle shall be used with cutting shroud. Do not cut metal. Do not use with bonded abrasive wheels.

1. With the cutting shroud attached to the grinder, press the front shroud button **7** and the side shroud button **8** at the same time to fully open the cutting shroud.

2. Install the backing flange, **12** or **14**, on spindle **26**.

**IMPORTANT:** The DWE46225 comes with two sets of flanges. Refer to the **Flange/Grinder Compatibility Chart** at the end of this section for proper use.

3. Place the wheel **25** on the locking flange **11** or **13**, and place both on the spindle, against the backing flange, centring the wheel on the raised centre of the backing flange.
4. While depressing the spindle lock button, tighten the locking flange:
  - Tighten standard locking flange using a wrench.
5. After the diamond cutting wheel is mounted, the cutting shroud must be closed by pressing the front shroud button **7** and the side shroud button **8** at the same time.
6. To remove the wheel, depress the spindle lock button and loosen the locking flange.

**Flange / Grinder Compatibility Chart**

Flange set	Grinder
Short (silver) flange set: Locking flange <b>11</b> Backing flange <b>12</b>	DCG405, DCG406

**Flange / Grinder Compatibility Chart**

Flange set	Grinder
Long (black) flange set: Locking flange <b>13</b> Backing flange <b>14</b>	DWE4016, DWE4203, DWE4206, DWE4207, DWE4216, DWE4217, DWE4227, DWE4233, DWE4235, DWE4237, DWE4238, DWE4246, DWE4257, DWE4263, DWE4277, DWE46105, DWE4357, DWE4347, DWE4369, DWE4377, DCG412, DCG414, D28498, DWE490, DWE492, DWE494, DWE496, DWE4001, DWE4056, DWE4057, DWE4156, DWE4157, DWE4151, DWE4557, DWE4559, DWE4579, DWE4597, DWE4599

## Depth of Cut Adjustment (Fig. A)

1. Loosen the depth of cut adjustment knob **5**.
2. Slide the depth of cut adjustor **4** to the desired position.  
note: If the shroud is closed, press the front shroud button **7** to open the shroud. This will make it easier to move the depth of cut adjustor.
3. Tighten the depth of cut adjustment knob.

## Dust Extraction (Fig. A, H)



**WARNING:** Use only power tools recommended by DeWALT with this attachment.

For more information about DeWALT power tools compatible with this attachment, please contact one of the authorized services centres listed on the back cover or refer to the full details of our after-sales service available on the Internet at: [www.2helpU.com](http://www.2helpU.com).



**WARNING:** This attachment must be used with a dust extractor system. ALWAYS wear certified safety face or dust mask.

**NOTE:** Ensure hose connection is secure.

**NOTE:** The amount of dust retained by the dust extractor vacuum is dependent on its filter system. Refer to the dust extractor vacuum instruction manual for more information. All DeWALT dust collection shrouds are designed to work with the DeWALT Airlock DWV9000 connector.

1. Attach the DWV9000 connector **23** to your dust collector hose **24**.
2. Unlock the DWV9000 connector **23** and slide onto dust port **1**.
3. Lock the DWV9000 connector **23** to secure.

## Traditional Dust Extractor Vacuum Hoses

Attach recommended dust extractor vacuum hose to dust port **1**.

## Removing and Attaching Wheels (Fig. I)

This cutting shroud comes with four removable wheels **6** on the metal base **3** which can be detached if not needed.



1. Remove the clips **27** holding the wheels to the base.

- Remove the wheels.
- Remove the pivot pin **28**.

To attach the wheels to the base, reinsert the pivot pin, slide the wheels on their axles and secure the clips in place. Make sure all four wheels are securely attached before using the

## OPERATION

### Instructions for Use

-  **WARNING:** Always observe the safety instructions and applicable regulations.
-  **WARNING:** To reduce the risk of serious personal injury, turn tool off and disconnect tool from power source before making any adjustments or removing/installing attachments or accessories. An accidental start-up can cause injury.

### Tuckpointing and Cutting Application (Fig. A, J)


- Set the desired depth of cut, see **Depth of Cut Adjustment** under **Assembly and Adjustments**.
- Allow the tool to reach full speed before touching it to the work surface.
- Position yourself so the open underside of the shroud and the wheel are facing away from you.
- Place the metal base **3** of the shroud onto the work surface and begin cut by plunging into the work surface. The upper shroud **9** will lock onto the lower shroud **10** after the initial plunge.
 

**NOTE:** Keep the metal base of the shroud against the work surface to ensure proper dust collection.
- With the shroud oriented as shown in Figure J, pull the grinder along the work surface.
 

**NOTE:** The grinder should ONLY be used in the direction indicated.
- When finished with the cut, remove the tool from work surface before turning off the tool. Allow the tool to stop rotating before laying it down.
- Push the side shroud button **8** to release the upper shroud and start a new plunge and cut.

## MAINTENANCE

Your power tool has been designed to operate over a long period of time with a minimum of maintenance. Continuous satisfactory operation depends upon proper tool care and regular cleaning.

-  **WARNING:** To reduce the risk of serious personal injury, turn tool off and disconnect tool from power source before making any adjustments or removing/installing attachments or accessories. An accidental start-up can cause injury.





### Lubrication


Your power tool requires no additional lubrication.



### Cleaning


-  **WARNING:** Blow dirt and dust out of the main housing with dry air as often as dirt is seen collecting in and around the air vents. Wear approved eye protection and approved dust mask when performing this procedure.
-  **WARNING:** Never use solvents or other harsh chemicals for cleaning the non-metallic parts of the tool. These chemicals may weaken the materials used in these parts. Use a cloth dampened only with water and mild soap. Never let any liquid get inside the tool; never immerse any part of the tool into a liquid.

### Optional Accessories

-  **WARNING:** Since accessories, other than those offered by DeWALT, have not been tested with this product, use of such accessories with this tool could be hazardous. To reduce the risk of injury, only DeWALT recommended accessories should be used with this product.

Consult your dealer for further information on the appropriate accessories.

### Protecting the Environment

-  Separate collection. Products marked with this symbol must not be disposed of with normal household waste.
-  Products contain materials that can be recovered or recycled reducing the demand for raw materials. Please recycle electrical products according to local provisions. Further information is available at [www.2helpU.com](http://www.2helpU.com).

# 125 ММ ПЫЛЕЗАЩИТНЫЙ КОЖУХ ДЛЯ УШМ DWE46225

# 230 ММ ПЫЛЕЗАЩИТНЫЙ КОЖУХ ДЛЯ УШМ DWE46229

## Поздравляем!

Вы приобрели инструмент DEWALT. Многолетний опыт, тщательная разработка изделий и инновации делают компанию DEWALT одним из самых надёжных партнеров для пользователей профессионального электроинструмента.

## Технические характеристики

	DWE46225	DWE46229
Тип	1	1
Эти режущие кожухи предназначены только для измельчителей DeWALT со следующими техническими характеристиками:		
диаметр держателя	mm 44,4	60
Максимум. диаметр алмазного круга	mm 125	230
wheel толщина корпуса колеса thickness	mm 1,2	1,8



**ВНИМАНИЕ:** Во избежание риска получения травм ознакомьтесь с инструкцией.

## Обозначения: правила техники безопасности

Нижне описывается уровень опасности, обозначаемый каждым из предупреждений. Прочитайте руководство и обратите внимание на данные символы.



**ОПАСНО:** Обозначает опасную ситуацию, которая неизбежно приведет к **серьезной травме или смертельному исходу**, в случае несоблюдения соответствующих мер безопасности.



**ВНИМАНИЕ:** Указывает на потенциально опасную ситуацию, которая, в случае несоблюдения соответствующих мер безопасности, может привести к **серьезной травме или смертельному исходу**.



**ПРЕДУПРЕЖДЕНИЕ:** Указывает на потенциально опасную ситуацию, которая, в случае несоблюдения соответствующих мер безопасности **может** стать причиной травм **средней или легкой степени тяжести**.

**ПОЯСНЕНИЕ:** Указывает на практики, использование которых не связано с получением травмы, но если ими пренебречь, могут привести к **порче имущества**.



Указывает на риск поражения электрическим током.



Указывает на риск возгорания.

## ОБЩИЕ ПРАВИЛА ТЕХНИКИ БЕЗОПАСНОСТИ ПРИ ИСПОЛЬЗОВАНИИ ЭЛЕКТРОИНСТРУМЕНТОВ



**ВНИМАНИЕ:** Прочитайте и просмотрите все предупреждения, инструкции, иллюстрации и спецификации по данному пылезащитному кожуху. Несоблюдение всех приведенных ниже инструкций может стать причиной поражения электрическим током, возгорания и/или тяжелой травмы.



**ВНИМАНИЕ:** Прочтите все предупреждения и инструкции по безопасности электроинструмента и пылесоса, подключенного к кожуху. Несоблюдение представленных ниже предупреждений и инструкций может привести к поражению электрическим током, возгоранию и/или тяжелым травмам.

## СОХРАНИТЕ ВСЕ ИНСТРУКЦИИ ДЛЯ ПОСЛЕДУЮЩЕГО ИСПОЛЬЗОВАНИЯ.

Термин «электроинструмент» в предупреждениях относится к работающим от сети (проводным) электроинструментам или работающим от аккумуляторной батареи (беспроводным) электроинструментам.

## ПРАВИЛА ТЕХНИКИ БЕЗОПАСНОСТИ ПРИ РАБОТЕ С ОТРЕЗНЫМИ МАШИНАМИ

- Поставляемый вместе с инструментом кожух должен быть надежно закреплен на электроинструменте и находиться в положении, обеспечивающем максимальную защиту, чтобы минимально возможная часть круга находилась в одной плоскости с оператором. Не позволяйте людям стоять на одной плоскости с вращением круга и не стойте там сами. Кожух защищает оператора от отколотых от круга фрагментов и случайного прикосновения к нему.
- Используйте с электроинструментом только алмазные круги. Возможность установки принадлежности на электроинструмент не обеспечивает безопасности при ее использовании.
- Номинальная скорость принадлежности должна, как минимум, равняться максимальной скорости, указанной на электроинструменте. Принадлежность, которая вращается со скоростью, превышающей ее номинальную скорость

- вращения, может разрушиться и отлететь в сторону.
- d) **Используйте круги для выполнения только рекомендованных типов работ. Например: не выполняйте шлифование при помощи отрезного круга.** Абразивные отрезные круги предназначены для работы периферией круга; боковая нагрузка, прилагаемая к таким кругам, может привести к их разрушению.
- e) **Всегда используйте исправные фланцы для кругов, диаметр которых соответствуют конкретному кругу.** Соответствующие фланцы надежно фиксируют круг, что снижает вероятность его поломки.
- f) **Внешний диаметр и толщина принадлежности должны соответствовать диапазону мощности электроинструмента.**  
Принадлежности неправильно подобранного размера не закрываются защитным ограждением и не обеспечивают надлежащего контроля управления.
- g) **Размер оси кругов и фланцев должен точно соответствовать шпинделю электроинструмента.** Круги и фланцы с ромбовидными отверстиями, которые не подходят к монтажной арматуре электроинструмента, работают несбалансированно, слишком сильно вибрируют и могут привести к потере управления.
- h) **Не используйте поврежденные круги. Перед каждым использованием проверяйте круги на предмет сколов и трещин. В случае падения электроинструмента или принадлежности проверьте наличие повреждений круга или установите неповрежденный круг. После проверки и установки круга, оператор и посторонние лица не должны находиться на одной плоскости с вращающимся кругом. Запустите электроинструмент на максимальной скорости без нагрузки и дайте ему поработать одну минуту.** Поврежденные круги, как правило, ломаются в течение этого тестового периода.
- i) **Используйте средства индивидуальной защиты. В зависимости от типа выполняемых работ надевайте щиток для защиты лица или защитные очки. В соответствии с необходимостью надевайте пылезащитную маску, защитные наушники, перчатки и рабочий фартук, способный защитить от мелких абразивных частиц и фрагментов обрабатываемой детали.** Средства защиты для глаз должны останавливать частицы, вылетающие при выполнении различных видов работ. Пылезащитная маска или респиратор должны обеспечивать фильтрацию твердых частиц, образующихся при выполнении работ. Длительное
- воздействие шума высокой мощности может привести к нарушениям слуха.
- j) **Не подпускайте посторонних лиц близко к рабочей зоне. Любое лицо, входящее в рабочую зону, должно использовать средства индивидуальной защиты.** Фрагменты заготовки или разрушенного круга могут отлететь в сторону и стать причиной травмы даже за пределами рабочей зоны.
- k) **Удерживайте инструменты только за изолированные ручки при выполнении работ, во время которых имеется вероятность контакта режущей принадлежности со скрытой электропроводкой.** Если вы держитесь за металлические детали инструмента, то в случае перерезания находящегося под напряжением провода, возможно поражение оператора электрическим током.
- l) **Располагайте кабель питания на удалении от вращающейся принадлежности.** В случае потери контроля над инструментом кабель питания может быть разрезан или ободран, а ваша рука может быть затянута вращающимся кругом.
- m) **Никогда не кладите электроинструмент до тех пор, пока он полностью не остановится.** Вращающийся круг может задеть за поверхность, из-за чего электроинструмент может вырваться из рук.
- n) **Не включайте электроинструмент, если принадлежность направлена на вас.** Случайный контакт с вращающейся принадлежностью может привести к наматыванию одежды и контакту принадлежности с вашим телом.
- o) **Регулярно очищайте вентиляционные отверстия электроинструмента.** Вентилятор электродвигателя затягивает пыль внутрь корпуса, а скопление большого количества пыли на металлических частях электродвигателя повышает риск поражения электротоком.
- p) **Не используйте электроинструмент рядом с горючими материалами.** Искры могут привести к их воспламенению.
- q) **Не используйте принадлежности, требующие жидкостного охлаждения.** Использование воды или других жидких охлаждающих средств может привести к поражению электрическим током вплоть до смертельного исхода.

## ДОПОЛНИТЕЛЬНЫЕ ИНСТРУКЦИИ ПО ТЕХНИКЕ БЕЗОПАСНОСТИ ДЛЯ ВСЕХ ВИДОВ РАБОТ

### Причины возникновения обратного удара и способы его предупреждения

Отдача представляет собой внезапную реакцию в результате заклинивания или деформации вращающегося круга, диска-подшвы, щетки или любых других дополнительных принадлежностей. Заклинивание или деформация вызывают мгновенную остановку вращающейся насадки, что, в свою очередь, приводит к потере управления инструментом и его резкого смещения в сторону, противоположную направлению вращения насадки в точке заклинивания.

Например, в случае заклинивания или деформации абразивного круга в обрабатываемой детали, заклинивающий край круга может врезаться в поверхность материала, что приводит к поднятю или выталкиванию круга. Круг может отскочить в сторону оператора или в другом направлении, в зависимости от направления вращения круга в точке заклинивания. Это может также привести к поломке абразивных кругов.

Отдача является результатом неправильного использования инструмента и/или использованием неправильных методов или режимов работы; избежать этого явления можно путем выполнения указанных далее мер предосторожности:

- a) **Прочно удерживайте электроинструмент обеими руками и располагайтесь таким образом, чтобы иметь возможность погасить энергию отдачи. Для эффективного управления инструментом в случае возникновения отдачи или реактивного крутящего момента во время запуска всегда пользуйтесь вспомогательной рукояткой, если таковая имеется.** Оператор может контролировать энергию крутящего момента или отдачи при соблюдении надлежащих мер предосторожности.
- b) **Никогда не держите руки поблизости от вращающейся принадлежности.** Она может отскочить в направлении вашей руки.
- c) **Не стойте на одной линии с вращающимся кругом.** В результате отдачи, инструмент отскакивает в направлении, противоположном вращению круга в точке заклинивания.
- d) **Соблюдайте особую осторожность при обработке углов, острых кромок и т. д. Избегайте дрожания и заклинивания принадлежности.** Углы, острые кромок или дрожание могут вызвать заклинивание насадки в заготовке и привести к потере управления в случае возникновения отдачи.
- e) **Не устанавливайте пильные цепи, диски для резки по дереву, сегментные алмазные круги**

**с периферическими зазорами больше 10 мм или зубчатые отрезные диски.** Такие диски часто вызывают отдачу и потерю контроля над инструментом.

- f) **Избегайте застревания круга в заготовке и не прилагайте чрезмерных усилий. Не пытайтесь выполнять разрез слишком большой глубины.** Слишком сильное нажатие на круг увеличивает нагрузку и возможность его деформации или заклинивания в заготовке, а также возможность возникновения отдачи или поломки круга.
- g) **В случае заклинивания круга или прекращении резки по какой-либо причине выключите электроинструмент и удерживайте его в неподвижном состоянии до полной остановки. Никогда не пытайтесь извлечь круг из разреза, когда он находится в движении. В противном случае, это может привести к возникновению отдачи.** Выясните причину и примите надлежащие меры по устранению причины заклинивания круга.
- h) **Не возобновляйте работу, когда круг находится внутри заготовки. Дождитесь, пока круг наберет полные обороты, и осторожно поместите его в начатый разрез.** В случае заклинивания, круг может подскочить вверх из заготовки или привести к отдаче при повторном запуске.
- i) **Для снижения риска заклинивания круга и отдачи обеспечьте надлежащую опору для длинных панелей или прочих заготовок большого размера.** Заготовки большого размера могут провисать под собственным весом. Опоры необходимо поместить под панель возле линии распила и возле края панели по обеим сторонам круга.
- j) **Соблюдайте повышенную осторожность при выполнении врезного пиления стен или в других слепых зонах.** Можно случайно перерезать газовые или водопроводные трубы, электрическую проводку, а также предметы, которые могут вызвать отдачу.

### Дополнительные инструкции по технике безопасности

- **Использование принадлежностей, не указанных в данном руководстве не рекомендуется и может представлять опасность.** Использование усилителей, которые приводят к вращению инструмента на скорости выше максимально разрешенной, является неправильным использованием изделия.
- **Используйте зажимы или другие уместные средства фиксации заготовки на стабильной опоре.** Держать заготовку на весу или в руках перед собой неудобно и это может привести к потере контроля над инструментом.



- **Всегда пользуйтесь боковой рукояткой. Надежно затягивайте рукоятку.** Для постоянного контроля работы инструмента нужно обязательно использовать боковую рукоятку.
  - **Не допускайте подпрыгивания алмазного круга и не делайте резких движений.** Если это происходит, остановите инструмент и проверьте круг на предмет повреждений.
  - **Не пытайтесь выполнять изогнутые резы.** Слишком сильное надавливание на круг увеличивает нагрузку и возможность его деформации или заклинивания в заготовке, а также возможность возникновения отдачи или поломки круга, что может привести к получению тяжелой травмы.
  - Всегда храните круги и обращайтесь с ними аккуратно.
  - **Не выполняйте резку в местах, которые могут содержать электропроводку или трубопроводы.** Это может привести к серьезной травме.
  - **НЕ режьте металл алмазным кругом.**
  - **НЕ используйте абразивные круги.**
  - **ВСЕГДА используйте пылесборник.**
  - **Не используйте данный инструмент в течение длительных промежутков времени.** Вибрация, вызванная выполняемыми работами, может стать причиной хронических заболеваний пальцев, кистей и суставов рук. Надевайте перчатки для дополнительной амортизации, чаще делайте перерывы и ограничивайте время работы в течение рабочего дня.
  - **Движущиеся части часто скрываются за вентиляционными прорезями; избегайте контакта с ними.** Свободная одежда, украшения или длинные волосы могут быть затянуты движущимися деталями.
  - Винтовая резьба принадлежностей должна соответствовать резьбе оси шлифовальной машины. Для принадлежности, установленной на фланцы, отверстие для инструментальной оправки должно соответствовать установочному диаметру фланца. Принадлежности, которые не подходят к монтажной арматуре электроинструмента, работают несбалансированно, слишком сильно вибрируют и могут привести к потере контроля.
  - Шлифовальная поверхность кругов с утопленным центром должна быть ниже поверхности края кожуха. Невозможно обеспечить надежную защиту при использовании кругов, выступающих за края пылезащитного кожуха.
- ⚠ ВНИМАНИЕ: Когда инструмент не используется, кладите его на бок на устойчивую поверхность в том месте, где об него нельзя споткнуться и упасть. Это может привести к серьезной травме.**

## Остаточные риски



**ОСТОРОЖНО!** Рекомендуется использовать устройство защитного отключения (УЗО) с током утечки до 30 мА.

Несмотря на соблюдение соответствующих инструкций по технике безопасности и использование предохранительных устройств, некоторые остаточные риски невозможно полностью исключить. А именно:

- ухудшение слуха;
- риск травм от разлетающихся частиц;
- риск получения ожогов в результате нагревания инструмента в процессе работы;
- риск получения травмы в результате продолжительной работы.

## СОХРАНИТЕ НАСТОЯЩЕЕ РУКОВОДСТВО

### Комплектация поставки

В комплектацию входит:

- 1 Пылезащитный кожух
- 1 Низкий зажимной фланец (DWE46225 только)
- 1 Низкий проставочный фланец (DWE46225 только)
- 1 Высокий зажимной фланец
- 1 Высокий проставочный фланец
- 1 Стопорный винт (DWE46225 только)
- 1 Винт (DWE46225 только)
- 1 Руководство по эксплуатации
- Проверьте инструмент, детали и дополнительные принадлежности на наличие повреждений, которые могли произойти во время транспортировки.
- Перед началом работы необходимо внимательно прочитать настоящее руководство и принять к сведению содержащуюся в нем информацию.

### Маркировка на инструменте

На инструмент нанесены следующие обозначения:



Перед началом работы прочтите руководство по эксплуатации.



Используйте защитные наушники.



Используйте защитные очки.

### Место положения кода даты (Рис. [Fig.] A)

Код даты **15**, который также включает в себя год изготовления, отштампован на поверхности корпуса инструмента.

Пример:

2020 XX XX  
Год изготовления

## Описание (Рис. А)

**!** **ВНИМАНИЕ:** *Никогда не вносите изменения в конструкцию электроинструмента или какой-либо его части. Это может привести к повреждению или травме.*

- |                                     |                                                 |
|-------------------------------------|-------------------------------------------------|
| 1 Поворотный патрубок пылеотвода    | 9 Верхний кожух                                 |
| 2 Винт манжеты                      | 10 Нижний кожух                                 |
| 3 Металлическое основание           | 11 Низкий зажимной фланец (DWE46225 только)     |
| 4 Регулятор глубины реза            | 12 Низкий проставочный фланец (DWE46225 только) |
| 5 Рукоятка регулировки глубины реза | 13 Высокий зажимной фланец                      |
| 6 Съёмные колеса                    | 14 Высокий проставочный фланец                  |
| 7 Передняя кнопка кожуха            |                                                 |
| 8 Боковая кнопка кожуха             |                                                 |

## Назначение

Ваш пылезазщитный кожух для УШМ предназначен для профессиональных работ по резке стеновых материалов. Он не предназначен для применения по металлу или дереву. Может использоваться только для сухой резки. Его использование с соответствующими шлифовальными машинами, алмазными кругами и пылесосами позволяет удалить большое количество обычной и взвешенной пыли, которая без использования пылезазщитного кожуха может загрязнять рабочее пространство или представлять огромный риск для здоровья оператора и тех, кто находится в непосредственной близости к нему.

Не используйте в условиях повышенной влажности или поблизости от легковоспламеняющихся жидкостей или газов.

Данный пылезазщитный кожух является профессиональным инструментом.

Не допускайте детей к инструменту. Использование инструмента неопытными пользователями должно происходить под контролем опытного лица.

- Данный инструмент не предназначен для использования лицами (включая детей) с ограниченными физическими, психическими и умственными возможностями, не имеющими опыта, знаний или навыков работы с ним, если они не находятся под наблюдением лица, ответственного за их безопасность. Никогда не оставляйте детей без присмотра с этим инструментом.

## СБОРКА И РЕГУЛИРОВКА

**!** **ВНИМАНИЕ:** *Чтобы снизить риск получения серьезной травмы, необходимо выключить инструмент и отсоединить батарею, прежде чем выполнять какую-либо регулировку либо удалять/устанавливать какие-либо насадки или дополнительные принадлежности.*

*Случайный запуск может привести к травме.*

**!** **ВНИМАНИЕ:** *Используйте только зарядные устройства и аккумуляторные батареи марки DEWALT.*

## Установка и снятие пылезазщитного кожуха

### Установка DWE46225 125 мм пылезазщитного кожуха

(Рис. А, В–D, F)

**!** **ВНИМАНИЕ:** *После установки пылезазщитного кожуха, защитное ограждение для шлифовальной работ не может быть заново установлено.*

Чтобы снять защитное ограждение со шлифовальной машины, следуйте инструкциям по установке и снятию защитного ограждения в руководстве по эксплуатации инструмента.

1. Чтобы установить DWE46225 пылезазщитный кожух для УШМ на бесключевой корпус редуктора, снимите рычаг блокировки защитного ограждения **16**, винт рычага блокировки **17** и винт **18**, как показано на Рисунке В.
2. Вставьте винты, входящие в комплект поставки: стопорный винт **19** и винт **20**, как показано на Рисунке С. Затем установите пылезазщитный кожух.
3. Одновременно нажмите на переднюю кнопку кожуха **7** и на боковую кнопку кожуха **8**, чтобы полностью раскрыть пылезазщитный кожух (Рис. F).
4. Ослабьте винт манжеты **2** на пылезазщитном кожухе и совместите язычки **21** на пылезазщитном кожухе с пазами **22** на корпусе редуктора шлифовальной машины.
5. Поверните кожух в направлении по часовой стрелке в нужное положение. Кожух должен располагаться между шпинделем и оператором для обеспечения оптимальной эффективности.
6. Тщательно затяните винт манжеты **2**, чтобы зафиксировать кожух на корпусе редуктора. Не используйте шлифовальную машину с незакрепленным пылезазщитным кожухом.
7. Чтобы снять пылезазщитный кожух, ослабьте винт манжеты, поверните кожух, совмещая пазы с язычками, и снимите кожух.

**ПРИМЕЧАНИЕ:** Диаметр кожуха подгоняется под размер корпуса редуктора при производстве. Если через некоторое время фиксация пылезазщитного кожуха ослабнет, затяните винт манжеты **2**.

**ПРЕДОСТЕРЕЖЕНИЕ:** *Если пылезазщитный кожух невозможно затянуть винтом манжеты, не используйте инструмент. Отнесите инструмент и кожух в сервисный центр для ремонта или замены кожуха.*

### Установка DWE46127 230 мм пылезазщитного кожуха

(Рис. А, D, F)

Чтобы снять защитное ограждение со шлифовальной машины, следуйте инструкциям по установке и



снятию защитного ограждения в руководстве по эксплуатации инструмента.


1. Одновременно нажмите на переднюю кнопку кожуха **7** и на боковую кнопку кожуха **8**, чтобы полностью раскрыть пылезащитный кожух (Рис. F).
2. Ослабьте винт манжеты **2** на пылезащитном кожухе и совместите язычки **21** на пылезащитном кожухе с пазами **22** на корпусе редуктора шлифовальной машины.
3. Поверните кожух в направлении по часовой стрелке в нужное положение. Кожух должен располагаться между шпинделем и оператором для обеспечения оптимальной эффективности.
4. Тщательно затяните винт манжеты **2**, чтобы зафиксировать кожух на корпусе редуктора. Не используйте шлифовальную машину с незакрепленным пылезащитным кожухом.
5. Чтобы снять пылезащитный кожух, ослабьте винт манжеты, поверните кожух, совмещая пазы с язычками, и снимите кожух.


**ПРИМЕЧАНИЕ:** Диаметр кожуха подгоняется под размер корпуса редуктора при производстве. Если через некоторое время фиксация пылезащитного кожуха ослабнет, затяните винт манжеты (2).


**ПРЕДОСТЕРЕЖЕНИЕ:** Если пылезащитный кожух невозможно затянуть винтом манжеты, не используйте инструмент. Отнесите инструмент и кожух в сервисный центр для ремонта или замены кожуха.

## Установка и снятие ключевого защитного ограждения (Рис. E)

Только для угловых шлифовальных машин 230 мм

-  **ВНИМАНИЕ:** Чтобы снизить риск получения серьезных травм, выключайте инструмент и отключайте его от сети перед тем, как выполнять какие-либо регулировки или снимать/устанавливать приспособления или дополнительные принадлежности. Перед тем как подключить инструмент, нажмите и отпустите курковый пусковой выключатель и убедитесь, что инструмент выключен.

 **ПРЕДУПРЕЖДЕНИЕ:** Для эксплуатации данной шлифовальной машины необходимо использовать защитные ограждения.


 **ПРЕДУПРЕЖДЕНИЕ:** Ключевое защитное ограждение можно устанавливать только на шлифовальных машинах, DWE46127 на которых был установлен 230 мм пылезащитный кожух.

При использовании шлифовальной машины для резки металла или каменной кладки ОБЯЗАТЕЛЬНО использование ограждения типа 1. Ограждение типа 1 можно приобрести отдельно у продавцов инструментов DEWALT.

1. Расположите угловую шлифовальную машину на столе, шпинделем **26** вверх.
2. Совместите выступы **30** с выемками **22**.
3. Надавите на защитное ограждение **29** и поверните его в нужное положение.
4. Надежно затяните винт **31**.
5. Чтобы снять ограждение, ослабьте винт.

**ПРЕДОСТЕРЕЖЕНИЕ:** Если ограждение не удастся затянуть установочным винтом, не используйте инструмент. В целях предотвращения травм отнесите инструмент и защитное ограждение в сервисный центр, где ограждение будет отремонтировано или заменено.

## Установка и использование алмазных отрезных кругов (Рис. A, F, G)

 **ВНИМАНИЕ:** С пылезащитным кожухом должны использоваться только алмазные круги с отрицательным передним углом. Не режьте металл. Не используйте абразивные круги на связке.

1. Установив пылезащитный кожух на шлифовальную машину, одновременно нажмите на переднюю кнопку кожуха **7** и на боковую кнопку кожуха **8**, чтобы полностью раскрыть пылезащитный кожух.
2. Установите проставочный фланец, **12** или **14**, на шпindel **26**.  
**ВАЖНО:** Модель DWE46225 поставляется с двумя наборами фланцев. Обратитесь к **Таблице совместимости фланцев/шлифовальных машин** в конце этого раздела для правильного использования.
3. Поместите круг **25** на зажимной фланец **11** или **13**, после чего установите их на шпindel вплотную к проставочному фланцу, разместив круг на выгуклом центре проставочного фланца.
4. Удерживая нажатой кнопку блокировки шпинделя, затяните зажимной фланец:
  - Затяните стандартный зажимной фланец при помощи гаечного ключа.
5. Установив алмазный отрезной круг, одновременно нажмите на переднюю кнопку кожуха **7** и на боковую кнопку кожуха **8**, чтобы закрыть его.
6. Чтобы снять круг, нажмите на кнопку блокировки шпинделя и ослабьте зажимной фланец.

**Таблица совместимости фланцев/шлифовальных машин**

Набор фланцев	Шлифовальная машина
Набор низких (серебряных) фланцев: Зажимной фланец <b>11</b> Проставочный фланец <b>12</b>	DCG405, DCG406

**Таблица совместимости фланцев/шлифовальных машин**

Набор фланцев	Шлифовальная машина
Набор высоких (черных) фланцев: Зажимной фланец <b>13</b>	DWE4016, DWE4203, DWE4206, DWE4207, DWE4216, DWE4217, DWE4227, DWE4233, DWE4235, DWE4237, DWE4238, DWE4246, DWE4257, DWE4263, DWE4277, DWE46105, DWE4357, DWE4347, DWE4369, DWE4377, DCG412, DCG414, D28498, DWE490, DWE492, DWE494, DWE496, DWE4001, DWE4056, DWE4057, DWE4156, DWE4157, DWE4151, DWE4557, DWE4559, DWE4579, DWE4597, DWE4599
Проставочный фланец <b>14</b>	

## Регулировка глубины реза (Рис. А)

1. Ослабьте рукоятку регулировки глубины реза **5**.
2. Переместите регулятор глубины реза **4** в нужное положение.  
Примечание: Если пылезащитный кожух закрыт, нажмите на переднюю кнопку кожуха **7**, чтобы раскрыть кожух. Это облегчит перемещение регулятора глубины реза.
3. Затяните рукоятку регулировки глубины реза.

## Пылеудаление (Рис. А, Н)

**ВНИМАНИЕ:** Используйте только рекомендованные DeWALT электроинструменты с этим приспособлением.

За дополнительной информацией относительно электроинструментов DeWALT, совместимых с данным приспособлением, обратитесь в один из авторизованных сервисных центров, указанных на последней странице данного руководства, или посетите нашу страничку о послепродажном сервисном обслуживании в интернете по адресу: [www.2helpU.com](http://www.2helpU.com).

**ВНИМАНИЕ:** Данное приспособление следует использовать с системой удаления пыли. ВСЕГДА надевайте сертифицированные средства защиты для лица или противопылевую маску.

**ПРИМЕЧАНИЕ:** Убедитесь в том, что шланг надежно подсоединен.

**ПРИМЕЧАНИЕ:** Количество пыли, которое остается в пылесосе, зависит от его системы фильтрации. Подробную информацию см. в инструкциях по эксплуатации пылесоса. Все пылезащитные кожухи DeWALT разработаны для работы с переходником DeWALT Airlock DWV9000.

1. Установите переходник DWV9000 **23** на шланг пылесоса **24**.
2. Разблокируйте переходник DWV9000 **23** и надвиньте его на патрубок пылеотвода **1**.
3. Заблокируйте переходник DWV9000 **23** до его полной фиксации.

## Шланги стандартных пылесосов

Подсоедините шланг рекомендуемого пылесоса к патрубку пылеотвода **1**.

## Снятие и установка колес (Рис. I)

Данный пылезащитный кожух подставляется с колесами **6** на металлическом основании **3**, которые при желании можно снять.

1. Снимите зажимы **27**, прикрепляющие колеса к основанию.
2. Снимите колеса.
3. Снимите ось вращения **28**.

Чтобы установить колеса на основание, установите на место ось вращения, надвиньте на ось колеса и установите на место зажимы. Перед использованием убедитесь, что все четыре колеса надежно зафиксированы

## ЭКСПЛУАТАЦИЯ

### Инструкции по использованию

- ⚠ ВНИМАНИЕ:** Всегда следуйте указаниям действующих норм и правил безопасности.
- ⚠ ВНИМАНИЕ:** Чтобы снизить риск получения серьезных травм, выключайте инструмент и отключайте его от сети перед тем, как выполнять какие-либо настройки или снимать/устанавливать насадки или принадлежности. Случайный запуск может привести к травме.

### Выпуклая расшивка и резка (Рис. А, J)

1. Установите нужную глубину реза, см. подраздел «Регулировка глубины реза» в разделе «Сборка и регулировка».
2. Дождитесь, пока инструмент наберет полные обороты, прежде чем прикасаться им к обрабатываемой поверхности.
3. Встаньте так, чтобы открытая нижняя сторона кожуха и круг были направлены в сторону от вас.
4. Поместите металлическое основание **3** кожуха на обрабатываемую поверхность и начните резку, врезаясь в обрабатываемую поверхность. Верхний кожух **9** зафиксирован на нижнем кожухе **10** после начала погружения.  
**ПРИМЕЧАНИЕ:** Удерживайте металлическое основание кожуха прижатым к обрабатываемой поверхности, чтобы обеспечить надлежащий сбор пыли.
5. Направив кожух так, как показано на Рисунке J, двигайте шлифовальную машину вдоль обрабатываемой поверхности.  
**ПРИМЕЧАНИЕ:** Шлифовальная машина должна использоваться ТОЛЬКО в обозначенном направлении.
6. Закончив рез, сначала поднимите инструмент с поверхности заготовки и затем выключите его. Прежде чем положить инструмент, дождитесь его остановки.

7. Нажмите на боковую кнопку кожуха **8**, чтобы освободить верхний кожух и начать новое погружение и рез.

## ТЕХНИЧЕСКОЕ ОБСЛУЖИВАНИЕ

Электроинструмент имеет длительный срок эксплуатации и требует минимальных затрат на техобслуживание. Для длительной безотказной работы необходимо обеспечить правильный уход за инструментом и его регулярную очистку.



**ВНИМАНИЕ:** Чтобы снизить риск получения серьезных травм, выключайте инструмент и отключайте его от сети перед тем, как выполнять какие-либо настройки или снимать/устанавливать насадки или принадлежности. Убедитесь, что курковый переключатель находится в положении ВКЛ. Непреднамеренный запуск инструмента может привести к получению травмы.



### Смазка

Ваш электроинструмент не требует дополнительной смазки.



### Чистка



**ВНИМАНИЕ:** Выдувайте грязь и пыль из корпуса сухим сжатым воздухом по мере видимого скопления грязи внутри и вокруг вентиляционных отверстий. Выполняйте очистку, надев средство защиты глаз и респиратор утвержденного типа.



**ВНИМАНИЕ:** Никогда не используйте растворители или другие агрессивные химические средства для очистки неметаллических деталей инструмента. Эти химикаты могут ухудшить свойства материалов, примененных в данных деталях. Используйте ткань, смоченную в воде с мягким мылом. Не допускайте попадания какой-либо жидкости внутрь инструмента; ни в коем случае не погружайте какую-либо часть инструмента в жидкость.

## Дополнительные принадлежности



**ВНИМАНИЕ:** Поскольку принадлежности, отличные от тех, которые предлагает DEWALT, не проходили тесты на данном изделии, то использование этих принадлежностей может привести к опасной ситуации. Во избежание риска получения травмы, с данным продуктом должны использоваться только рекомендованные DEWALT дополнительные принадлежности.

По вопросу приобретения дополнительных принадлежностей обращайтесь к Вашему дилеру.

## Защита окружающей среды



Отдельная утилизация. Изделия с данным символом на маркировке запрещается утилизировать с обычными бытовыми отходами.

Изделия содержат материалы, которые могут быть извлечены или переработаны, снижая потребность в исходном сырье. Пожалуйста, утилизируйте электрические изделия в соответствии с местными нормами. Дополнительная информация доступна по адресу [www.2helpU.com](http://www.2helpU.com).



**Приложение к руководству по эксплуатации электрооборудования для определения месяца производства по номеру текущей календарной недели года**

Электрооборудование торговых марок "Dewalt", "Stanley", "Stanley FatMAX", "BLACK+DECKER".

Директивы 2014/30/EU ЕВРОПЕЙСКОГО ПАРЛАМЕНТА И СОВЕТА от 26 февраля 2014 г. "О гармонизации законодательств Государств-членов ЕС в области электромагнитной совместимости", 2006/42/ЕС ЕВРОПЕЙСКОГО ПАРЛАМЕНТА И СОВЕТА от 17 мая 2006 г. "О машинах и оборудовании"; 2014/35/EU ЕВРОПЕЙСКОГО ПАРЛАМЕНТА И СОВЕТА от 26 февраля 2014 г. "О гармонизации законодательств государств-членов в области размещения на рынке электрооборудования, предназначенного для использования в определенных пределах напряжения". Серийный выпуск.

**ТОВАР СЕРТИФИЦИРОВАН**

Орган по сертификации "РОСТЕСТ-Москва", Адрес: 119049, г. Москва, улица Житная, д. 14, стр. 1; 117418, Москва, Нахимовский просп., 31 (фактический), Телефон: (499) 1292311, (495) 6682893, Факс: (495) 6682893, E-mail: office@rostest.ru  
 Изготовитель: Изготовитель: Блэк энд Деккер Холдингс ГмбХ, Германия, 65510, Идштайн, ул. Блэк энд Деккер, 40, тел. +496126212790.

Уполномоченное изготовителем юр.лицо:

ООО "Стэнли Блэк энд Деккер", 117485, город Москва, улица Обручева, дом 30/1, строение 2  
 Телефон: + 7 (495) 258-3981, факс: + 7 (495) 258-3984, E-mail: info@dewalt.com  
 Сведения о импортере указаны в сопроводительной документации и/или на упаковке

**Хранение.**

Необходимо хранить в сухом месте, вдали от источников повышенных температур и воздействия солнечных лучей. При хранении необходимо избегать резкого перепада температур. Хранение без упаковки не допускается

**Срок службы.**

Срок службы изделия составляет 5 лет. Не рекомендуется к эксплуатации по истечении 5 лет хранения с даты изготовления без предварительной проверки.

Дата изготовления (код даты) указана на корпусе инструмента. Код даты, который также включает год изготовления, отштампован на поверхности корпуса изделия.

Пример:

2014 46 XX, где 2014 –год изготовления, 46-неделя изготовления. Определить месяц изготовления по указанной неделе изготовления можно согласно приведенной ниже таблице.

**Транспортировка.**

Категорически не допускается падение и любые механические воздействия на упаковку при транспортировке. При разгрузке/погрузке не допускается использование любого вида техники, работающей по принципу зажима упаковки.

**Перечень критических отказов, возможные ошибочные действия персонала.**

Не допускается эксплуатация изделия:

- При появлении дыма из корпуса изделия
- При поврежденном и/или оголенном сетевом кабеле
- при повреждении корпуса изделия, защитного кожуха, рукоятки
- при попадании жидкости в корпус
- при возникновении сильной вибрации
- при возникновении сильного искрения внутри корпуса

**Критерии предельных состояний.**

- При поврежденном и/или оголенном сетевом кабеле
- при повреждении корпуса изделия

Месяц	Январь	Февраль	Март	Апрель	Май	Июнь	Июль	Август	Сентябрь	Октябрь	Ноябрь	Декабрь	Год производства
Неделя	1	5	9	14	18	23	27	31	36	40	44	49	2018
	2	6	10	15	19	24	28	32	37	41	45	50	
	3	7	11	16	20	25	29	33	38	42	46	51	
	4	8	12	17	21	26	30	34	39	43	47	52	
			13		22			35			48		
Неделя	1	6	10	14	18	23	27	31	36	40	45	49	2019
	2	7	11	15	19	24	28	32	37	41	46	50	
	3	8	12	16	20	25	29	33	38	42	47	51	
	4	9	13	17	21	26	30	34	39	43	48	52	
	5					22			35		44		
Неделя	1	6	10	14	19	23	27	32	36	40	45	49	2020
	2	7	11	15	20	24	28	33	37	41	46	50	
	3	8	12	16	21	25	29	34	38	42	47	51	
	4	9	13	17	22	26	30	35	39	43	48	52	
	5				18		31			44			
Неделя	2	6	10	14	19	23	27	32	36	41	45	49	2021
	3	7	11	15	20	24	28	33	37	42	46	50	
	4	8	12	16	21	25	29	34	38	43	47	51	
	5	9	13	17	22	26	30	35	39	44	48	52	
				18			31		40			1	
Неделя	2	6	10	15	19	23	28	32	36	41	45	49	2022
	3	7	11	16	20	24	29	33	37	42	46	50	
	4	8	12	17	21	25	30	34	38	43	47	51	
	5	9	13	18	22	26	31	35	39	44	48	52	
			14			27			40			1	

# КОЖУХ РІЗАЛЬНОГО ДИСКА 125 ММ DWE46225

# КОЖУХ РІЗАЛЬНОГО ДИСКА 230 ММ DWE46229

## Вітаємо вас!

Ви обрали інструмент виробництва компанії DeWALT. Ретельна розробка продукції, багаторічний досвід фірми у виробництві інструментів, різні вдосконалення, все це зробило інструменти DeWALT є одними із найнадійніших помічників для тих, хто використовує електричні інструменти у своїй професії.

## Технічні дані

	DWE46225	DWE46229	
Тип	1	1	
Ці ріжучі кожухи використовуються лише для шліфувальних машин DeWALT із наступними технічними умовами:			
діаметр утримувача	мм	44,4	60
макс. діаметр коліс діаметром	мм	125	230
товщина кузова колеса	мм	1,2	1,8



**ПОПЕРЕДЖЕННЯ:** Уважно прочитайте керівництво з експлуатації для зменшення ризику отримання травм.

## Позначення: інструкції з техніки безпеки

Умовні позначення, наведені нижче, описують рівень важливості кожної попереджувальної вказівки. Прочитайте керівництво з експлуатації та зверніть увагу на символи, наведені нижче.

**НЕБЕЗПЕЧНО:** Вказує на безпосередню загрозу, яка, якщо її не уникнути, призведе до смерті або серйозної травми.

**ПОПЕРЕДЖЕННЯ:** Вказує на потенційну загрозу, ігнорування якої може призвести до смерті або серйозної травми.

**УВАГА:** Вказує на потенційну загрозу, ігнорування якої може призвести до травми легкої або середньої тяжкості.

**ПРИМІТКА:** Вказує на ситуацію, не пов'язану з особистою травмою, ігнорування цієї ситуації може призвести до пошкодження майна.

**⚡** Вказує на ризик ураження електричним струмом.

**🔥** Вказує на ризик виникнення пожежі.

## ЗАГАЛЬНІ ПРАВИЛА БЕЗПЕКИ ПРИ ЕКСПЛУАТАЦІЇ ЕЛЕКТРИЧНОГО ІНСТРУМЕНТА

**⚠️ УВАГА!** Ознайомтеся з усіма попередженнями, інструкціями з техніки безпеки, зображеннями та специфікаціями, які поставляються з даним різальним кожухом. Невиконання наведених нижче інструкцій, може призвести до ураження електричним струмом, пожежі та/або серйозних травм.

**⚠️ УВАГА!** Ознайомтеся з усіма попередженнями, інструкціями з техніки безпеки для електричного інструменту і пирососа, приєднаних до кожуха. Невиконання всіх попереджень та інструкцій, наведених у цих посібниках, може призвести до ураження електричним струмом, пожежі та/або серйозних травм.

## ЗБЕРІГАЙТЕ ВСІ ПОПЕРЕДЖЕННЯ ТА ІНСТРУКЦІЇ ДЛЯ ПОДАЛЬШОГО ВИКОРИСТАННЯ.

Термін «електричний інструмент» в усіх попередженнях стосується використовуваних вами інструментів, що живляться від мережі енергопостачання (з електричним кабелем) або від акумуляторів (без кабелю).

## ПРАВИЛА ТЕХНІКИ БЕЗПЕКИ ДЛЯ ВИДІРІЗНИХ МАШИН

- Захисний кожух, що надається з інструментом, необхідно надійно прикріпити до електричного інструменту та розмістити для максимальної безпеки так, щоб найменша частина диска була спрямована на оператора. Розташуйте себе та сторонніх людей подалі від площини обертання диска. Запобіжник допомагає захистити оператора від уламків диска та випадкового контакту з диском.**
- Для цього електричного інструменту використовуйте тільки алмазні диски.** Той факт, що приладдя можна прикріпити до інструмента, не гарантує безпечної роботи.
- Номінальна швидкість приладдя повинна щонайменше дорівнювати максимальній швидкості, вказаній на електричному інструменті.** Приладдя з більшою швидкістю може зламатися та розлетітися.
- Диски повинні використовуватись лише для рекомендованих видів діяльності.** Наприклад, не проводьте шліфування боковою стороною

- різального диска. Абразивні різальні диски призначені для шліфування периферійних ділянок, причому бокові сили, застосовані до цих дисків, можуть призвести до їхнього хитання.*
- e) **Завжди використовуйте непошкоджені фланці дисків відповідного діаметра для обраного диска.** Відповідні фланці диску підтримують диск, зменшуючи можливість поломки диску.
- f) **Зовнішній діаметр та товщина вашого приладдя повинні знаходитися у рамках характеристики потужності цього електричного інструмента.** Аксесуари невірних розмірів неможливо контролювати відповідним чином.
- g) **Розмір оправки дисків і фланців повинен відповідати шпинделю електричного інструменту.** Диски і фланці з отворами в оправленні, які не відповідають елементам кріплення електричного інструменту можуть втрачати баланс, надмірно вібрувати та призводити до втрати контролю.
- h) **Не використовуйте пошкоджені диски. Перед кожним використанням перевіряйте диски на наявність поломки та тріщин. Якщо електричний інструмент або диск падає, необхідно оглянути їх на пошкодження та встановити непошкоджений диск. Після огляду та встановлення диска відступіть на певну відстань та попросіть сторонніх відійти від площини обертання диска. Запустіть електричний інструмент при максимальній швидкості без навантаження та залиште його в робочому стані впродовж однієї хвилини. Пошкоджені диски зазвичай ламаються під час цього запуску.**
- i) **Використовуйте засоби індивідуального захисту. У залежності від способу експлуатації інструмента слід використовувати захисний щиток, захисні окуляри або маску. За необхідності вдягайте протипилову маску, засоби захисту слуху, рукавиці або робочий фартух, що захистять вас від маленьких фрагментів абразиву або заготовки.** Захисні окуляри захищать вас від частинок, що здатні розлітатись під час певних видів робіт. Протипилова маска або респіратор повинні фільтрувати частинки, що утворюються під час роботи. Тривалий вплив шуму з високою інтенсивністю може призвести до втрати слуху.
- j) **Сторонні особи повинні перебувати подалі від робочої зони. Будь-яка особа, яка наближається до робочої зони, повинна використовувати засоби особистого захисту.** Фрагменти заготовки або уламки диска можуть відлетіти та призвести до травми, навіть поза безпосередньою зоною роботи.
- k) **Тримайте інструмент лише за ізольовану поверхню при виконанні операцій, коли ріжучі аксесуари можуть торкнутися схованої проводки.** Ріжучі елементи при контакті з дротом під напругою може призвести до появи напруги в інструменті та ураження оператора електричним струмом.
- l) **Розмістіть кабель подалі від приладдя, що обертається.** Якщо ви втратите контроль, кабель може бути розрізаний або може зачепитися, а ваша рука або пальці можуть потрапити у диск, що обертається.
- m) **У жодному разі не кладіть інструмент, доки всі його деталі повністю не зупиняться.** Диск, що обертається, може захопити поверхню та потягнути електричний інструмент з рук.
- n) **Не тримайте увімкнений інструмент біля власного тіла.** Випадковий контакт з приладдям, що обертається, може зачепити одяг, потягнувши інструмент до вашого тіла.
- o) **Регулярно очищуйте вентиляційні отвори електричного інструмента.** Вентилятор двигуна буде втягувати пил всередину корпусу, надмірна кількість металевих частинок може призвести до ризику ураження електричним струмом.
- p) **Не використовуйте електричний інструмент біля легкозаймистих матеріалів.** Іскри можуть викликати спалах цих матеріалів.
- q) **Не використовуйте приладдя, що вимагає рідкого холодоагенту.** Використання води чи інших рідких холодоагентів може призвести до смертельної електротравми або шоку.

## ДОДАТКОВІ ІНСТРУКЦІЇ З ТЕХНІКИ БЕЗПЕКИ ПРИ ВИКОНАННІ БУДЬ-ЯКИХ ОПЕРАЦІЙ З ЕЛЕКТРИЧНИМ ІНСТРУМЕНТОМ

### Причини та попередження віддачі

Віддача – це раптова реакція на затиснений або деформований диск, що обертається, диск-підшув, щітку або інші приладдя. Затиснення або нерівності викликають різке уповільнення швидкості обертання рухомого приладдя, що, в свою чергу, викликає відхилення неконтрольованого електричного інструмента в напрямку протилежному напрямку обертання приладдя в місці зчеплення. Наприклад, якщо абразивний диск затиснений заготовкою, край диска, що входить у зону затиснення, може увійти в поверхню матеріалу, спричиняючи віддачу диска. При цьому диск відскочить від оператора або на оператора, в залежності від напрямку руху диска в точці заїдання. Абразивні диски також можуть зламатися за цих умов. Віддача є результатом невідповідного використання інструменту або/та невідповідних способів чи умов



експлуатації. Її можна уникнути, вживаючи нижченаведених заходів:

- a) **Добре тримайте інструмент та розташуйте своє тіло та руки так, щоб можна було протистояти віддачі. Завжди використовуйте додаткову ручку, якщо така є, для максимального контролю віддачі або реактивного крутного моменту при запуску.** Оператор може контролювати реактивний крутний момент або сили віддачі, якщо вжити відповідні заходи.
- b) **Ніколи не розташуйте руки біля різальних поверхонь.** Може виникнути віддача приладдя через руку.
- c) **Не розташуйте своє тіло в одну лінію з диском, що обертається.** Віддача призведе до руху інструмента в напрямку протилежному руху диска в точці заїдання.
- d) **Будьте особливо уважними коли обробляєте кути, гострі краї тощо. Уникайте відстрибування та заїдання приладдя.** Кути, гострі краї або відстрибування можуть призвести до затиснення приладдя та викликати втрату контролю або віддачу.
- e) **Не прикріплюйте пильний ланцюг, пильне полотно для різьблення по дереву, сегментний алмазний диск з периферійним зазором більше 10 мм або пильне полотно с зубцями.** Такі пильні полотна призводять до частих віддач та втрати контролю.
- f) **Не «затискуйте» диск та не застосовуйте надмірний тиск до інструменту. Не намагайтесь створювати надглибокі розрізи.** Надмірний тиск на диск збільшує навантаження й чутливість до заїдання або деформації диска в розрізі та можливість віддачі або поломки диска.
- g) **Якщо диск заїдає або при припиненні виконання розрізу з будь-якої причини, вимкніть інструмент та утримуйте його нерухомим, доки диск не буде повністю зупинений. Ніколи не намагайтесь витягувати диск з розрізу, коли він рухається, інакше може виникнути віддача.** Потрібно проаналізувати ситуацію й вжити необхідних заходів для уникнення затиснення диска.
- h) **Не поновлюйте роботу інструмента в заготовці. Дайте диску досягти повної швидкості та обережно вставте його в розпочатий розріз.** Диск може бути затиснений або він може піднятися в разі поновлення роботи інструмента.
- i) **Опорні пластини або заготовки великого розміру можуть допомогти звести до мінімуму ризик заїдання диска та віддачі.** Великі заготовки можуть прогинатися під власною вагою. Опори необхідно розташувати під заготовкою біля лінії розрізу та біля краю заготовки з обох боків диска.

- j) **Будьте особливо уважні під час виконання «врізання» в наявні стіни або інші місця, де не видно, що знаходиться під поверхнею.** Диск, що виступає, може розрізати газову або водяну трубу, електричні кабелі або інші предмети, що може спричинити віддачу.

## Додаткові правила техніки безпеки

- **Не рекомендується використання насадок, не вказаних у цьому посібнику; це може бути небезпечним.** Використання підсилювачів потужності, що можуть збільшити швидкість пристрою, яка буде перевищувати номінальну швидкість, вважається невідповідним використанням.
- **Використовуйте затискач або інший спосіб закріплення деталі, що оброблюється, на стабільній платформі.** Утримування деталі в руці та притискання її до тіла робить її нестабільною та може призвести до втрати контролю.
- **Завжди використовуйте бокову ручку. Надійно затягуйте ручку.** Завжди використовуйте бокову ручку для керування інструментом.
- **Уникайте відстрибування алмазного диска та грубого поводження з ним.** Якщо це сталося, зупиніть інструмент і перевірте диск на наявність тріщин або дефектів.
- **Не намагайтесь робити криволінійні розрізи.** Надмірний тиск на алмазний диск збільшує навантаження й чутливість до заїдання або деформації алмазного диска в розрізі та можливість віддачі або поломки диска, що може призвести до серйозних травм.
- Завжди акуратно поводьтеся і зберігайте диски.
- **Ніколи не ріжте в місцях, де можуть знаходитись електричні кабелі або труби.** Це може призвести до серйозних травм.
- **НЕ ріжте метал алмазним диском.**
- **НЕ використовуйте абразивні диски.**
- **ЗАВЖДИ використовуйте з пилозбірником.**
- **Не використовуйте інструмент тривалий час.** Вібрація, що виникає під час роботи з цим інструментом, може спричинити невилкову травму пальців, рук і кистей. Для забезпечення захисного амортизуючого ефекту слід працювати у рукавицях; слід робити часті перерви для відпочинку та обмежити тривалість роботи з цим інструментом протягом дня.
- **Рухомі частини часто приховані вентиляційними отворами; уникайте контакту з ними.** Вільний одяг, прикраси або довге волосся може зачепитися за рухомі деталі.
- **Приладдя з різьбленням повинно відповідати різьбленню шпинделя шліфувального станка.** При встановленні приладдя з фланцем в отвір оправлення воно має відповідати діаметру фланця на інструменті. Приладдя, яке не відповідає елементам кріплення електричного інструмента, може втрачати

баланс, надмірно вібрувати та призводити до втрати контролю.

- Шліфувальна поверхня дисків з опущеним центром повинна знаходитися нижче площини кромки кожуха. Неправильно встановлений диск, який виступає над площиною кромки кожуха, неможливо адекватно захистити.



**УВАГА! Коли інструмент не використовується, залиште його на нерухомій поверхні в положенні на боці, убезпечивши його від падіння чи інших випадкових пошкоджень. Через це можна отримати травму.**

## Залишкові ризики



**УВАГА:** Ми рекомендуємо використовувати пристрій з керуванням диференційним струмом з номінальним значенням диференційного струму 30 мА або менше.

Дотримання всіх правил техніки безпеки та застосування пристроїв безпеки не гарантує уникнення певних залишкових ризиків. До такого переліку належать:

- *Порушення слуху.*
- *Ризик тілесних ушкоджень через частинки, які розлітаються.*
- *Ризик опіків через нагрівання приладдя під час роботи.*
- *Ризик тілесних ушкоджень через занадто тривале використання.*

## ЗБЕРІГАЙТЕ ЦІ ІНСТРУКЦІЇ

### Комплект поставки

До комплекту входить:

- 1 Кожух різального диска
- 1 Короткий фіксуючий фланець (лише DWE46225)
- 1 Короткий опорний фланець (лише DWE46225)
- 1 Довгий фіксуючий фланець
- 1 Довгий опорний фланець
- 1 Стопорний гвинт (лише DWE46225)
- 1 Гвинт (лише DWE46225)
- 1 Посібник з експлуатації
- *Перевірте інструмент, деталі та приладдя на пошкодження, що могли виникнути під час транспортування.*
- *Перед використанням уважно прочитайте та повністю зрозумійте цей посібник.*

### Маркування інструмента

На інструменті є наступні піктограми:



Прочитайте інструкції цього керівництва перед використанням.



Використовуйте засоби захисту органів слуху.



Використовуйте засоби захисту очей.

### Розташування коду дати (Рис. [Fig.] A)

Код дати **15**, що включає також рік виробництва, зазначений на корпусі.

Приклад:

2020 XX XX

Рік виробництва

### Опис (рис. A)



**УВАГА!** Ніколи не модифікуйте електричні інструменти та їх деталі. Це може призвести до пошкодження майна або тілесних ушкоджень.

- |                                      |                                               |
|--------------------------------------|-----------------------------------------------|
| 1 Поворотний порт для видалення пилу | 9 Верхній кожух                               |
| 2 Гвинт з заплечиком                 | 10 Нижній кожух                               |
| 3 Металева основа                    | 11 Короткий фіксуючий фланець (лише DWE46225) |
| 4 Регулятор глибини різання          | 12 Короткий опорний фланець (лише DWE46225)   |
| 5 Ручка регулювання глибини різання  | 13 Довгий фіксуючий фланець                   |
| 6 Знімні диски                       | 14 Довгий опорний фланець                     |
| 7 Передня кнопка кожуха              |                                               |
| 8 Бокова кнопка кожуха               |                                               |

### Область застосування

Ваш різальний кожух розроблений для професійного розпилювання цегляної кладки. Він не призначений для використання з металом або деревом. Його можна використовувати лише для сухого розпилювання. Використовуючи відповідну шліфувальну машину можна використовувати алмазний диск і пілосос для видалення переважної більшості статичного пилу і такого, що переноситься повітрям, який у разі не використання різального кожуха може забруднити робочу середу або представляти підвищену небезпеку для здоров'я оператора і тих, хто знаходиться в безпосередній близькості від нього. Не використовуйте за умов підвищеної вологості або в присутності легкозаймистих рідин та газів.

Цей різальний кожух є професійним інструментом.

Не дозволяйте дітям підходити на небезпечну відстань та торкатися інструмента. Використання інструмента недосвідченими операторами потребує нагляду.

- Цей пристрій не призначений для використання особами (включаючи дітей) із зниженими фізичними, сенсорними або розумовими можливостями або особами, яким бракує досвіду або знань за винятком випадків, коли такі особи працюють під наглядом особи, яка несе відповідальність за їх безпеку. Не можна залишати дітей наодинці з цим приладом.



## МОНТАЖ ТА НАЛАШТУВАННЯ

**ПОПЕРЕДЖЕННЯ:** Щоб знизити ризик серйозних тілесних ушкоджень, вимкніть інструмент та відключіть акумулятор перед виконанням будь-яких налаштувань або зніманням/встановленням додаткового обладнання або приладдя. Випадковий запуск може призвести до травм.

**ПОПЕРЕДЖЕННЯ:** Використовуйте тільки DEWALT акумулятори та зарядні пристрої.

## Встановлення та зняття кожуха різального диска

**Встановлення DWE46225 кожуха різального диска 125 мм (Рис. А, В–D, F)**

**УВАГА!** Захисний кожух для шліфування неможливо встановити заново після встановлення кожуха різального диска.

Для зняття захисного кожуха зі шліфувальної машини дотримуйтесь інструкцій зі встановлення і зняття кожуха, наведених у цьому посібнику з експлуатації інструменту.

1. Для встановлення DWE46225 кожуха на редуктор з безключовим доступом зніміть важіль звільнення захисного кожуха **16**, гвинт важеля звільнення захисного кожуха **17** і гвинт **18**, показані на рис. В.
2. Вставте гвинти з комплекту поставки: стопорний гвинт **19** і гвинт **20** як показано на рис. С. Потім встановіть кожух різального диска.
3. Одночасно натисніть передню **7** і бокову кнопку кожуха **8**, щоб повністю відкрити кожух різального диска (рис. F).
4. Послабте гвинт з запличиком **2** на кожусі різального диска і вирівняйте виступи **21** на кожусі різального диска з пазами **22** на редукторі шліфувальної машини.
5. Поверніть кожух за годинниковою стрілкою в бажане робоче положення. Кожух потрібно помістити між шпинделем та оператором, щоб забезпечити оптимальну ефективність.
6. Затягніть гвинт з запличиком **2**, щоб закріпити кожух різального диска на редукторі. Не використовуйте шліфувальну машину з погано затягненим кожухом різального диска.
7. Для зняття кожуха різального диска послабте гвинт з запличиком, поверніть різальний кожух так, щоб вирівняли пази і виступи, і потягніть кожух різального диска вгору.

**ПРИМІТКА.** Кожух різального диска попередньо налаштовується на заводі на діаметр маточини редуктора. Якщо з часом кожух різального диска ослабне, затягніть гвинт з запличиком **2**.

**ПРИМІТКА.** Якщо кожух різального диска неможливо зафіксувати затягуванням гвинта з запличиком, не використовуйте інструмент. Віднесіть інструмент

і кожух різального диска в сервісний центр для ремонту або заміни кожуха різального диска.

**Встановлення DWE46127 кожуха різального диска 230 мм (рис. А, D, F)**

Для зняття захисного кожуха зі шліфувальної машини дотримуйтесь інструкцій зі встановлення і зняття кожуха, наведених у цьому посібнику з експлуатації інструменту.

1. Одночасно натисніть передню **7** і бокову кнопку кожуха **8**, щоб повністю відкрити кожух різального диска (рис. F).
2. Послабте гвинт з запличиком **2** на кожусі різального диска і вирівняйте виступи **21** на кожусі різального диска з пазами **22** на редукторі шліфувальної машини.
3. Поверніть кожух за годинниковою стрілкою в бажане робоче положення. Кожух потрібно помістити між шпинделем та оператором, щоб забезпечити оптимальну ефективність.
4. Затягніть гвинт з запличиком **2**, щоб закріпити кожух різального диска на редукторі. Не використовуйте шліфувальну машину з погано затягненим кожухом різального диска.
5. Для зняття кожуха різального диска послабте гвинт з запличиком, поверніть різальний кожух так, щоб вирівняли пази і виступи, і потягніть кожух різального диска вгору.

**ПРИМІТКА.** Кожух різального диска попередньо налаштовується на заводі на діаметр маточини редуктора. Якщо з часом кожух різального диска ослабне, затягніть гвинт з запличиком **2**.

**ПРИМІТКА.** Якщо кожух різального диска неможливо зафіксувати затягуванням гвинта з запличиком, не використовуйте інструмент. Віднесіть інструмент і кожух різального диска в сервісний центр для ремонту або заміни кожуха різального диска.

## Встановлення та зняття захисного кожуху зі шпонками (Рис. Е)

Лише для шліфувальних машин 230 мм

**УВАГА!** Щоб знизити ризик серйозних травм, вимкніть інструмент та відключіть його від мережі живлення перед виконанням будь-яких налаштувань або зніманням/встановленням насадок чи аксесуарів. Перед підключенням інструменту до мережі живлення, відпустіть тригерний перемикач, щоб переконатися, що інструмент вимкнений.

**ОБЕРЕЖНО!** Дана модель шліфувальної машини вимагає використання захисних кожухів.

**ОБЕРЕЖНО:** Захисний кожух зі шпонками можна встановлювати тільки на шліфувальних машинах, на яких DWE46127 встановлено кожух діаметром 230 мм.

При використанні шліфувальної машини для розрізання металу або каменю НЕОБХІДНО використовувати захисний кожух типу 1. Захисні кожухи типу 1 можна придбати додатково у дистриб'юторів компанії DEWALT.

1. Покладіть кутову шліфувальну машину на стіл догори шпинделем **26**.
2. Вирівняйте виступи **30** з пазами **22**.
3. Натисніть на захисний кожух **29** донизу та поверніть у необхідне положення.
4. Добре затягніть гвинт **31**.
5. Щоб зняти захисний кожух, відкрутіть гвинт.

**ПРИМІТКА:** Якщо захисний кожух неможливо затягнути шляхом регулювання гвинта, не використовуйте інструмент. Для запобігання ризику отримання травми надайте інструмент і захисний кожух у сервісний центр для ремонту або заміни кожуха.

## Встановлення та використання алмазних різальних дисків (Рис. А, F, G)



**УВАГА!** З кожухом різального диска дозволяється використовувати тільки алмазні диски з негативним переднім кутком. Не ріжте метал. Не використовуйте шліфувальні круги з абразивом на епоксидній зв'язці.

1. Встановивши кожух різального диска на шліфувальну машину, одночасно натисніть передню **7** і бокову кнопку кожуха **8**, щоб повністю відкрити кожух.
2. Встановіть опорний фланець **12** або **14** на шпindel **26**.  
**ВАЖЛИВО!** DWE46225 поставляється з двома комплектами фланців. Для правильного використання див. **Таблицю сумісності фланців/шліфувальних машин** в кінці даного розділу.
3. Встановіть диск **25** на фіксуючий фланець **11** або **13** і помістіть обидва на шпindel навпроти опорного фланця, центруючи диск на піднятому центрі опорного фланця.
4. Утримуючи натиснутою кнопку блокування шпинделя, затягніть блокувальний фланець.
  - Затягніть стандартний фіксуючий фланець, використовуючи гайковий ключ.
5. Після встановлення алмазного різального диска кожух різального диска слід закрити, натиснувши одночасно передню **7** та бокову кнопку кожуха **8**.
6. Щоб зняти диск, натисніть кнопку блокування шпинделя та відпустіть фіксуючий фланець.

## Таблиця сумісності фланців/шліфувальних машин

Комплект фланців	Шліфувальна машина
Комплект коротких фланців (сріблястий): Фіксуєчий фланець <b>11</b> Опорний фланець <b>12</b>	DCG405, DCG406
Комплект довгих фланців (чорний): Фіксуєчий фланець <b>13</b> Опорний фланець <b>14</b>	DWE4016, DWE4203, DWE4206, DWE4207, DWE4216, DWE4217, DWE4227, DWE4233, DWE4235, DWE4237, DWE4238, DWE4246, DWE4257, DWE4263, DWE4277, DWE46105, DWE4357, DWE4347, DWE4369, DWE4377, DCG412, DCG414, D28498, DWE490, DWE492, DWE494, DWE496, DWE4001, DWE4056, DWE4057, DWE4156, DWE4157, DWE4151, DWE4557, DWE4559, DWE4579, DWE4597, DWE4599

## Регулювання глибини різання (рис. А)

1. Послабте ручку регулювання глибини різання **5**.
2. Посуньте регулятор глибини різання **4** у потрібне положення.  
примітка: Якщо кожух закритий, натисніть передню кнопку кожуха **7**, щоб відкрити його. Це полегшить переміщення регулятора глибини різання.
3. Затягніть ручку регулювання глибини різання.

## Видалення пилу (рис. А, Н)



**УВАГА!** З даної насадкою використовуйте тільки рекомендовані DEWALT електричні інструменти.

Для отримання більш докладної інформації про електричні інструменти DEWALT, сумісні з цією насадкою, зверніться в один з авторизованих сервісних центрів, зазначених на задній панелі, або ознайомтеся з докладною інформацією про наше післяпродажне обслуговування, доступне в Інтернеті за адресою [www.2helpU.com](http://www.2helpU.com).



**УВАГА!** Цю насадку слід використовувати із системою видалення пилу. ЗАВЖДИ носіть сертифіковану захисну маску або протипилову маску.

**ПРИМІТКА.** Переконайтеся, що шланг приєднаний надійно.  
**ПРИМІТКА.** Кількість пилу, що вловлюється пиლოსосом, залежить від його системи фільтрації. Додаткову інформацію див. в керівництві з експлуатації пиლოსоса.

Все кожухи для збирання пилу DEWALT призначені для роботи з роз'ємом DEWALT Airlock DWV9000.

1. Підключіть роз'єм DWV9000 **23** до шлангу вашого пиლოსоса **24**.
2. Розблокуйте роз'єм DWV9000 **23** і посуньте в порт для видалення пилу **1**.

3. Заблокуйте роз'єм DWV9000 **23**, щоб закріпити його.

### Традиційні шланги для вакуумних пилососів

Прикріпіть рекомендований шланг вакуумного пилососа до порту для видалення пилу. **1**.

### Зняття та підключення коліс (Рис. I)

Цей різальний кожух постачається з чотирма знімними дисками **6** на металевій основі **3**, які можна від'єднати, якщо вони не потрібні.

1. Зніміть затискачі **27**, що утримують диски на основі.
2. Зніміть диски.
3. Зніміть шарнірний штифт **28**.

Щоб прикріпити диски до основи, вставте шарнірний штифт, посуňte диски на їх осі і закріпіть затискачі на місці. Перед початком використання пристрою переконайтесь, що всі чотири диски надійно закріплені.

## РЕЖИМ РОБОТИ

### Інструкції з використання

**!** **ПОПЕРЕДЖЕННЯ:** Завжди дотримуйтесь усіх інструкцій з техніки безпеки та відповідних норм.

**!** **ПОПЕРЕДЖЕННЯ:** Щоб знизити ризик серйозних травм, вимкніть інструмент та відключіть його від мережі живлення перед виконанням будь-яких налаштувань або змінами/встановленням насадок або приладдя. Випадковий запуск може призвести до травм.

### Тактування та розпилювання (рис. А, J)

1. Встановіть необхідну глибину різання, див. **Регулювання глибини різання** в розділі **Монтаж та налаштування**.
2. Дозвольте інструменту досягти повної швидкості до того, як він торкнеться робочої поверхні.
3. Займіть таке положення, щоб відкрита нижня частина кожуха і диск були спрямовані в бік від вас.
4. Помістіть металеву основу **3** кожуха на робочу поверхню і почніть різати, занурюючись в робочу поверхню. Верхній кожух **9** зафіксується на нижньому кожусі **10** після первісного занурення.  
**ПРИМІТКА.** Металева основа кожуха має бути притиснута до робочої поверхні, щоб забезпечити належний збір пилу.
5. Розташували кожух, як показано на рис. J, потягніть шліфувальну машину уздовж робочої поверхні.  
**ПРИМІТКА:** Шліфувальна машина має використовуватися ТІЛЬКИ в зазначеному напрямку.
6. Після закінчення різання витягніть інструмент з робочої поверхні, перш ніж вимкнути його. Дозвольте інструменту повністю зупинитися перед тим, як покласти його.
7. Натисніть на бокову кнопку кожуха **8**, щоб відпустити верхній кожух і почати нове занурення і різання.

## ТЕХНІЧНЕ ОБСЛУГОВУВАННЯ

Ваш електричний інструмент призначений для роботи протягом довгого часу з мінімальним обслуговуванням. Довга задовільна робота приладу залежить від належного обслуговування приладу та регулярного його очищення.



**ПОПЕРЕДЖЕННЯ:** Щоб знизити ризик серйозних травм, вимкніть інструмент та відключіть його від мережі живлення перед виконанням будь-яких налаштувань або змінами/встановленням насадок або приладдя. Випадковий запуск може призвести до травм.



### Змащування

Ваш електричний інструмент не вимагає додаткового змащування.



### Очищення



**ПОПЕРЕДЖЕННЯ:** Коли пил та бруд стають помітними та починають накопичуватися біля вентиляційних отворів, видавайте бруд та пил зсередини основного корпусу за допомогою сухого повітря. Використовуйте рекомендовані засоби захисту органів зору та рекомендовану протипилову маску при виконанні цієї операції.



**ПОПЕРЕДЖЕННЯ:** Ніколи не використовуйте розчинники та інші агресивні хімічні засоби для очищення неметалевих деталей інструмента. Такі хімічні речовини можуть нанести шкоду матеріалам, що використовуються в цих деталях. Використовуйте вологу ганчірку, змочену лише водою з м'яким милом. Не дозволяйте рідині потрапляти всередину інструмента та ніколи не занурюйте деталі інструмента в рідину.

### Додаткові аксесуари



**ПОПЕРЕДЖЕННЯ:** Оскільки інше приладдя, що не зазначене виробником DEWALT, не перевірялося з цим пристроєм, його використання з інструментом може бути небезпечним. Необхідно використовувати лише рекомендовані DEWALT приладдя з цим пристроєм, щоб знизити ризик отримання травм.

Зверніться до свого дилера для отримання подальшої інформації щодо відповідного приладдя.

### Захист навколишнього середовища



Роздільний збір. Пристрої позначені цим символом, не можна викидати зі звичайним побутовим сміттям.



Пристрої містять матеріали, які можна відновити та переробити, що зменшить потребу у сировині.

Утилізуйте електротехнічну продукцію відповідно до

## УКРАЇНСЬКА

---

місцевих положень. Більш детальну інформацію можна отримати на сайті [www.2helpU.com](http://www.2helpU.com).



Виробник:  
"Stanley Black & Decker Deutschland  
GmbH" Black-&-Decker Str.40, D-65510  
Idstein, Німеччина







